



ISOMETER® isoEV425/isoEV425HC with the AGH420 coupling device

Insulation monitoring device for unearthed DC circuits (IT systems)
for the charging of electric vehicles

Software version: D0430 V2.xx/D0640 V2.xx (isoEV425)/
D0586 V2.xx (isoEV425HC)





ISOMETER® isoEV425/isoEV425HC

i Information!

Read the corresponding manual in addition to this quickstart.

Downloadable at: www.bender.de/en/service-support/downloads

Type of device	Response values	Automatic self test			Manual No.	Art. No.
isoEV425-D4-4 with AGH420	R_{an1} : 2...500 kΩ (Factory setting: 500 kΩ) R_{an2} : 1...490 kΩ (Factory setting: 100 kΩ)	enabled	yes	yes	D00126	B71036401
isoEV425HC-D4-4 with AGH420	R_{an1} : 2...500 kΩ (Factory setting: 200 kΩ) R_{an2} : 1...490 kΩ (Factory setting: 100 kΩ)	enabled	no	yes	D00126	B71036397
isoEV425-D49-4 with AGH420	R_{an1} : 2...500 kΩ (Factory setting: 170 kΩ) R_{an2} : 1...490 kΩ (Factory setting: 100 kΩ)	disabled	no	yes	D00126	B71036392

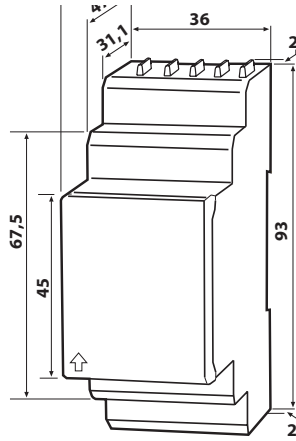
Intended use

The ISOMETER® isoEV425 or isoEV425HC monitors the insulation resistance R_e of unearthed AC/DC main circuits (IT systems) with nominal system voltages of AC, AC/DC 0...690 V or DC 0...1,000 V. The main application area for this ISOMETER® is unearthed charging stations (Mode 4 acc. to IEC 61851-23/FDIS) for electric vehicles (IT systems) with a nominal system voltage of DC 0...1,000 V. DC components existing in 3(N)AC, AC/DC systems do not influence the operating characteristics when a load current of at least DC 10 mA flows. A separate supply voltage U_s allows de-energised systems to be also monitored. The maximum permissible system leakage capacitance C_e is 5 µF for isoEV425 or 20 µF for isoEV425HC. The ISOMETER® is always operated with the AGH420 coupling device AGH420.

Any use other than that described in this quickstart is regarded as improper.

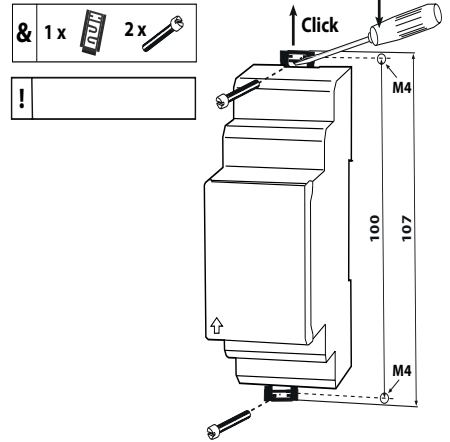
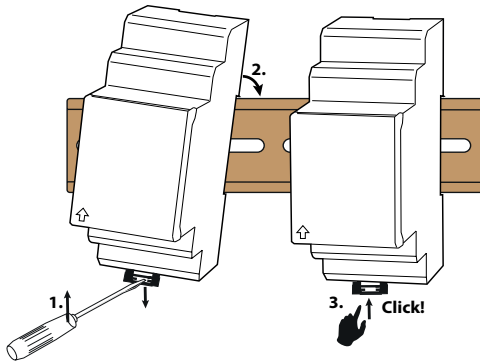
i To ensure that the ISOMETER® functions correctly, a mains internal resistance of ≤ 1 kΩ must exist between L1/+ and L2/- via the source (e.g. the transformer) or the load.

Installation

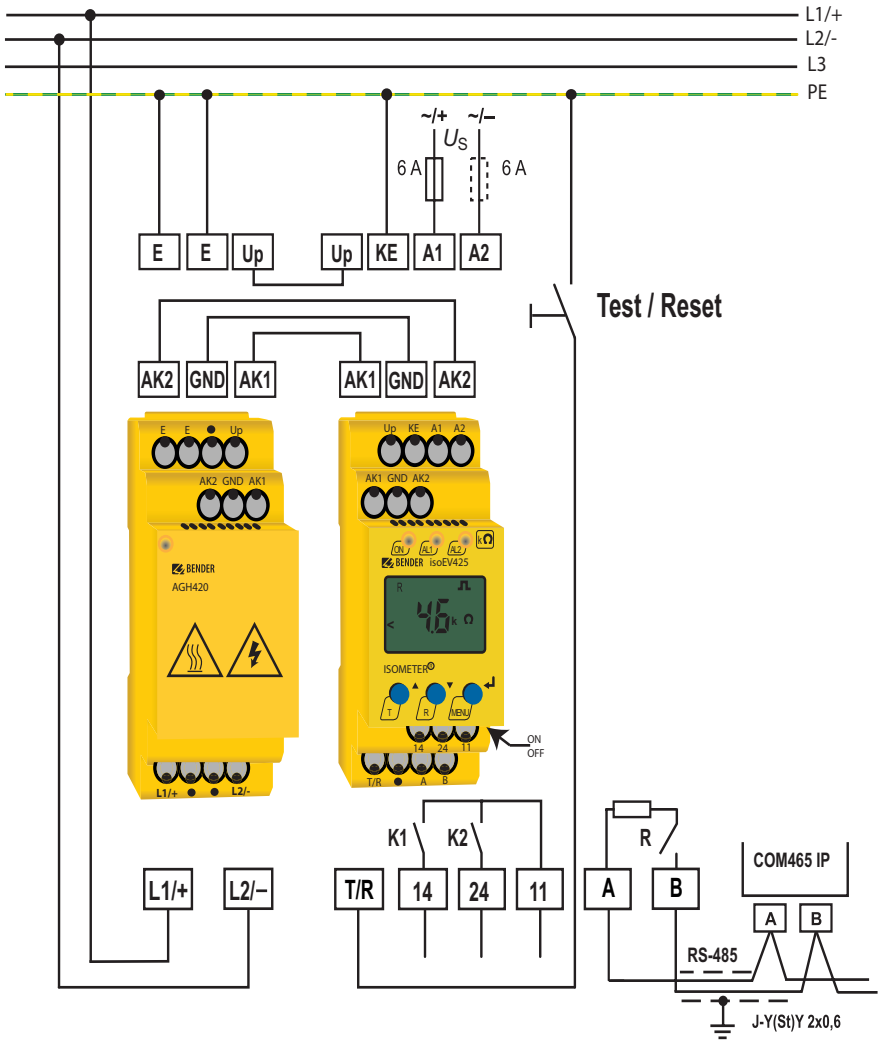


A

B



Wiring diagram




CAUTION! Risk due to hot surfaces!

If the AGH420 is operated at mains voltages > 800 V, the enclosure temperature may exceed 60 °C. Avoid touching the device surface after switching on the mains voltage.

Wiring diagram legend

Terminal	Connections
A1, A2	Connection to the supply voltage U_s via fuse (line protection): If supplied from an IT system, both lines have to be protected by a fuse.*
E, E, KE	Connect each terminal separately to PE. The same wire cross section as for A1, A2 is to be used.
L1/+, L2/-	Connection to 3(N)AC, AC or DC system to be monitored
Up, AK1, GND, AK2	Connection of AGH420 terminals to the corresponding ISOMETER® terminals
T/R	Connection to the external combined Test/Reset button
11, 14	Alarm relay „K1“ terminal
11, 24	Alarm relay „K2“ terminal
A, B	RS-485 communication interface with switchable termination resistor


*** For UL applications:**

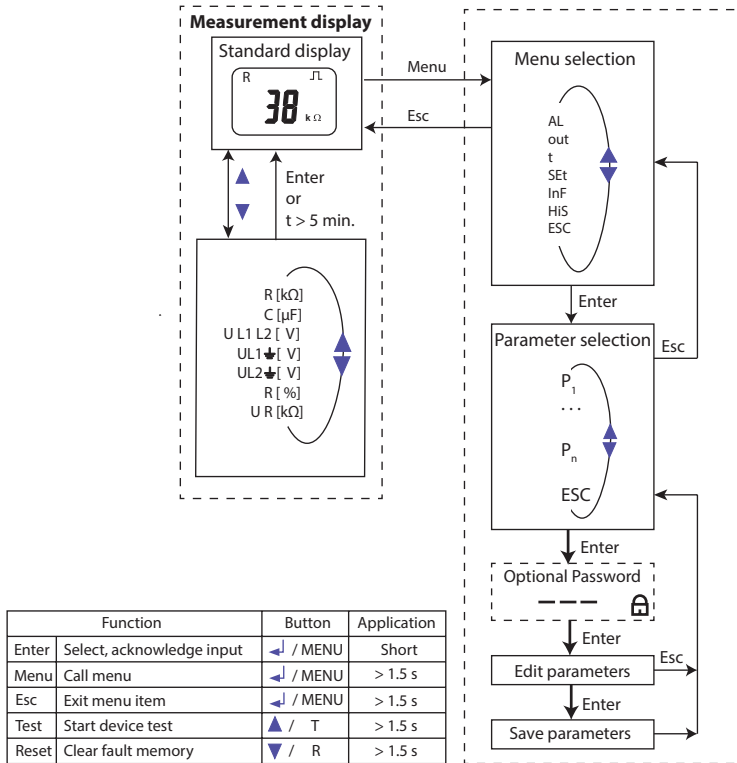
Only use 60/75°C copper lines!

For UL and CSA applications, it is mandatory to use fuses rated over 5 A to protect the supply voltage U_s .


WARNING! Risk of electric shock when automatic self test is enabled!

If isoEV425 is used according to UL2231, the automatic self test must be disabled. A manual self test must be carried out.

Menu overview



Menu item	Adjustable parameter
AL	Response value query and setting
out	Configure, fault memory, alarm relay and interface
t	Delay times and self-test cycle settings
SEt	Parameterize device control
InF	Querying software version
HiS	Query and delete memory history
ESC	To next higher menu level

Display elements

Device front panel/display	Function
	<p>ON green - On</p> <p>AL1 yellow - Alarm</p> <p>AL2 yellow - Alarm</p> <hr/> <p>▲ Up button</p> <p>T Test button (press for > 1.5 s)</p> <hr/> <p>▼ Down button</p> <p>R Reset button (press for > 1.5 s)</p> <hr/> <p>↵ ENTER</p> <p>MENU MENU button (press for > 1.5 s)</p>
	<p>1 U: Nominal system voltage U_n R: Insulation resistance R_f C: System leakage capacitance C_e</p> <hr/> <p>2 Monitored conductor</p> <hr/> <p>3 = : Voltage type DC □ : Distributed free measured value updates ~ : Voltage type AC</p> <hr/> <p>4 Measured value and units</p> <hr/> <p>5 Password protection enabled</p> <hr/> <p>6 In menu mode, the operation of the respective alarm relay is indicated.</p> <hr/> <p>7 Communication interface Measured value: isoData operation</p> <hr/> <p>8 Fault memory is enabled.</p> <hr/> <p>9 Mode symbols</p> <hr/> <p>10 Identifier for response values and response value violation</p>

Technical data

()* = Factory setting

Insulation coordination acc. to IEC 60664-1/IEC 60664-3

Rated voltage	240 V
Overvoltage category.....	III

Supply voltage

Supply voltage U_s	AC 100...240 V/DC 24...240 V
Tolerance of U_s	-30...+15 %
Frequency range U_s	47...63 Hz
Power consumption.....	$\leq 3 \text{ W}$, $\leq 9 \text{ VA}$

IT system being monitored

Nominal system voltage U_n with AGH420.....	3(N)AC, AC 0...690 V/DC 0...1,000 V
Tolerance of U_n	AC +15 %, DC +10%
Nominal system voltage range U_n with AGH420 (UL508)	AC/DC 0...600 V
Frequency range of U_n	DC, 15...460 Hz

Response values

Response value R_{an1} (isoEV425)	2...500 k Ω (500 k Ω)*
Response value R_{an1} (isoEV425HC).....	2...500 k Ω (200 k Ω)*
Response value R_{anz} (isoEV425)	1...490 k Ω (100 k Ω)*
Operating uncertainty R_{an} ($C_e \leq 5 \mu\text{F}$).....	$\pm 15 \%$, at least $\pm 1 \text{ k}\Omega$
Operating uncertainty R_{an} ($C_e > 5 \mu\text{F}$ and $R_f > 100 \text{ k}\Omega$).....	$\pm (5 \% * R_{an} / 100 \text{ k}\Omega + 10 \%)$
Hysteresis R_{an}	25 %, at least 1 k Ω
Undervoltage detection.....	30...1.14 kV (off)*
Overvoltage detection	31...1.15 kV (off)*
Operating uncertainty U	$\pm 5 \%$, at least $\pm 5 \text{ V}$
Frequency dependent response uncertainty $\geq 200 \text{ Hz}$	-0.03 %/Hz
Hysteresis U	5 %, at least 5 V

Response time

Response time t_{an} at $R_f = 0.5 \times R_{an}$ and $C_e = 1 \mu\text{F}$ acc. to IEC 61557-8	$\leq 10 \text{ s}$
Start-up delay t	0...10 s (0 s)*
Response delay t_{on}	0...99 s (0 s)*
Delay on release t_{off}	0...99 s (0 s)*

Interface

Interface/protocol	RS-485/BMS, Modbus RTU, isoData
Baud rate	BMS (9.6 kBit/s), Modbus RTU (adjustable), isoData (115.2 kBit/s)
Cable length (9.6 kBit/s)	$\leq 1,200 \text{ m}$
Cable: twisted pair, shield connected to PE	min. J-Y(St)Y 2 x 0.6
Terminating resistor.....	120 Ω (0,25 W), internal, can be connected
Device address, BMS bus, Modbus RTU	3...90 (3)*

Connection

Connection type.....Screw and push-wire terminal

Screw-type terminals:

Nominal current.....≤ 10 A
Tightening torque.....0.5 .. 0.6 Nm (5 .. 7 lb-in)
Conductor sizes.....AWG 24-12
Stripping length.....8 mm
rigid/flexible.....0.2 .. 2.5 mm²
flexible with ferrules, with/without plastic collar.....0.25 .. 2.5 mm²
Multiple conductor, rigid.....0.2 .. 1.5 mm²
Multiple conductor, flexible.....0.2 .. 1.5 mm²
Multiple conductor, flexible with ferrule without plastic sleeve.....0.25 .. 1.5 mm²
Multiple conductor, flexible with TWIN ferrule with plastic sleeve.....0.25 .. 1.5 mm²

Push-wire terminals:

Nominal current.....≤ 10 A
Conductor sizes.....AWG 24-14
Stripping length.....10 mm
Rigid.....0.2 .. 2.5 mm²
flexible without ferrules.....0.75 .. 2.5 mm²
flexible with ferrules, with/without plastic collar.....0.25 .. 2.5 mm²
Multiple conductor, flexible with TWIN ferrule with plastic sleeve.....0.5 .. 1.5 mm²
Opening force.....50 N
Test opening, diameter.....2.1 mm
Wiring of terminals Up, AK1, GND, AK2.....refer to technical data of AGH420, under the heading „Connection“

Other

Operating mode.....Continuous operation
Mounting.....Cooling slots must be ventilated vertically
Degree of protection, built-in components (DIN EN 60529).....IP30
Degree of protection, terminals (DIN EN 60529).....IP20

Technical data AGH420

Insulation coordination acc. to IEC 60664-1/IEC 60664-3

Rated voltage	1,000 V
Overvoltage category.....	III

IT system being monitored

Nominal system voltage U_n	AC/DC 0...1,000 V
Tolerance of U_n	AC/DC +10 %
Nominal system voltage range U_n (UL508)	AC/DC 0...600 V

Connection

Connection type.....	Screw or push-wire terminals
----------------------	------------------------------

Screw terminals:

Nominal current.....	≤ 10 A
Tightening torque.....	0.5...0.6 Nm (5...7 lb-in)
Conductor sizes	AWG 24-12
Stripping length.....	8 mm
Rigid/flexible.....	0.2...2.5 mm ²
Flexible with ferrules with / without plastic collar.....	0.25...2.5 mm ²
Multiple conductor rigid.....	0.2...1.5 mm ²
Multiple conductor flexible	0.2...1.5 mm ²
Multiple conductor with ferrules without plastic collar	0.25...1.5 mm ²
Multiple conductor with TWIN ferrules with plastic collars.....	0.25...1.5 mm ²

Push-wire terminals:

Nominal current.....	≤ 10 A
Conductor sizes	AWG 24-14
Stripping length	10 mm
Rigid	0.2...2.5 mm ²
Flexible without ferrules.....	0.75...2.5 mm ²
Flexible with ferrules with/without plastic collar.....	0.25...2.5 mm ²
Multiple conductor with TWIN ferrules with plastic collars.....	0.5...1.5 mm ²
Opening force	50 N
Test opening, diameter	2.1 mm
Connection type	Terminals Up, AK1, GND, AK2

Single cables for terminals Up, AK1, GND, AK2:

Cable lengths	≤ 0.5 m
Cross section.....	≥ 0.75 mm ²

Other

Operating mode.....	Continuous operation
Mounting	Cooling slots must be ventilated vertically
Distance to adjacent devices, $U_n > 800$ V.....	≥ 30 mm
Degree of protection, built-in components (DIN EN 60529)	IP30
Degree of protection, terminals (DIN EN 60529)	IP20

Standards, approvals and certifications

The ISOMETER® has been developed in compliance with the following standards:

- DIN EN 61557-8 (VDE 0413-8): 2015-12/Ber1: 2016-12
- IEC 61557-8 -8: 2014/COR1: 2016

optec

energie ist messbar

Optec AG | Guyer-Zeller-Strasse 14 | CH-8620 Wetzikon ZH

Telefon: +41 44 933 07 70 | Telefax: +41 44 933 07 77

E-Mail: info@optec.ch | Internet: www.optec.ch



Alle Rechte vorbehalten.
Nachdruck und Vervielfältigung
nur mit Genehmigung des Herausgebers.

Bender GmbH & Co. KG

Postfach 1161 • 35301 Grünberg • Deutschland
Londorfer Str. 65 • 35305 Grünberg • Deutschland
Tel.: +49 6401 807-0 • Fax: +49 6401 807-259
E-Mail: info@bender.de • www.bender.de

All rights reserved.
Reprinting and duplicating
only with permission of the publisher.

Bender GmbH & Co. KG

PO Box 1161 • 35301 Gruenberg • Germany
Londorfer Str. 65 • 35305 Gruenberg • Germany
Tel.: +49 6401 807-0 • Fax: +49 6401 807-259
E-Mail: info@bender.de • www.bender.de