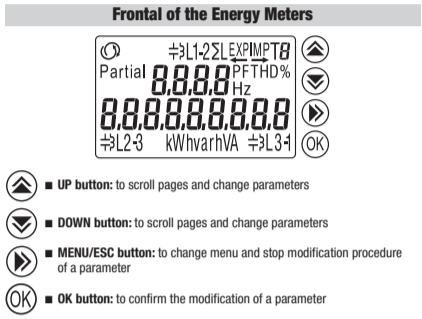


Operating instructions
The Energy Meter provides all relevant measures for the evaluation of an electrical network: L, U, PF, F, THD%, Powers (displayed for each phase and 3 phase) and Imported/Exported Active/Reactive Energies.

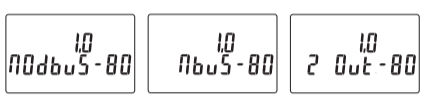


Table with columns: Code, Model, Communication. Lists models HC.ECSPM64, HC.ECSPM66, HC.ECSPM65 and their communication methods.

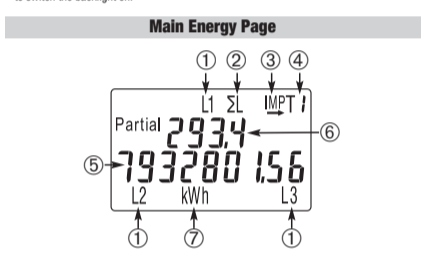
RISK OF ELECTRIC SHOCK, BURNS OR EXPLOSION
This device must be installed and maintained ONLY by qualified and duly authorized personnel.



Device Switch-on
When the device is switched on, the firmware version and the model appear on the display for one second.

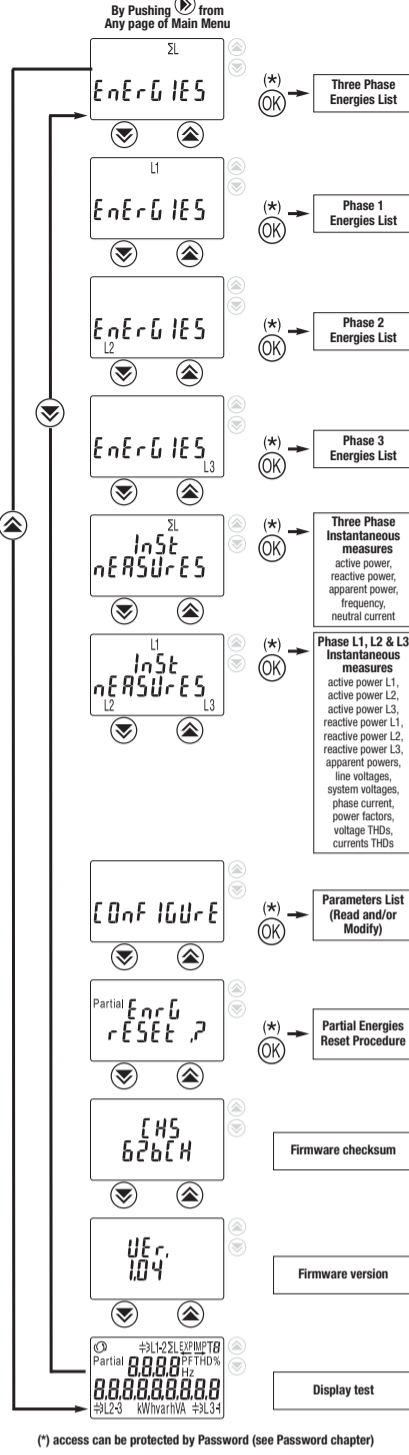


Display Back light
If no button is pushed for 40 seconds, the display goes back to the Main Page and the backlight is switched off.

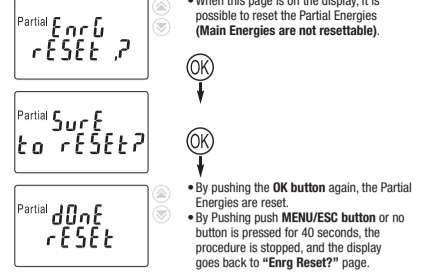


Main Energy Page
1: Appears if V (L-N) >= 92 VAC
2: Three-phase energy
3: 'M'Ported' / 'EXP'orted flowing power direction
4: working tariff

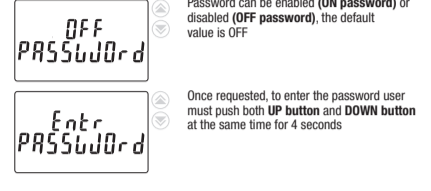
Selection Menu



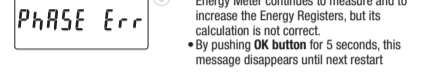
Partial Energies Reset Procedure



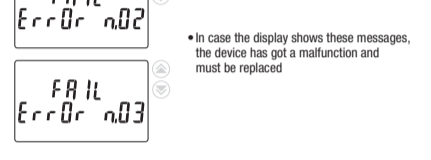
Password



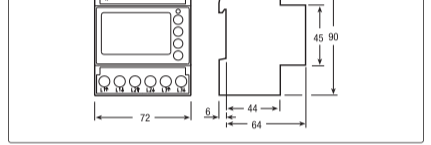
Phase Sequence Error



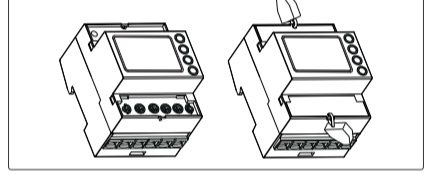
Unrecoverable Internal Errors



Dimension

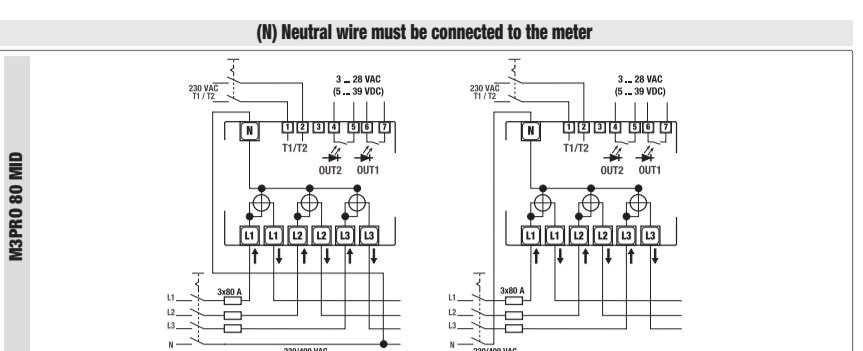


Sealable terminal covers

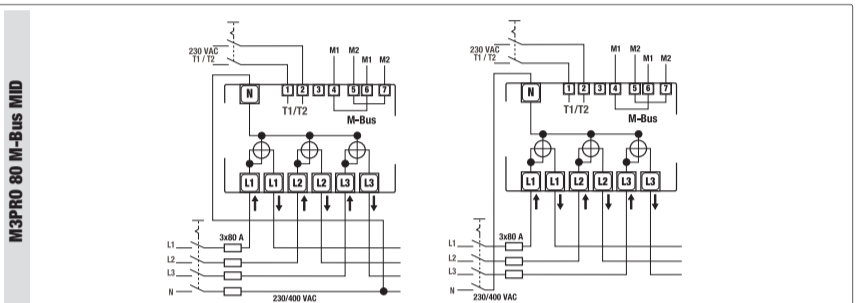
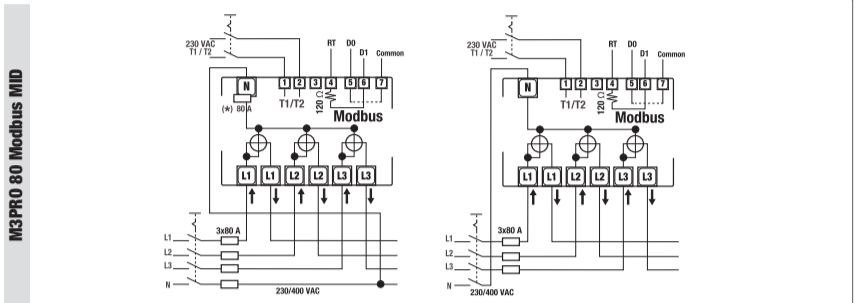


Wiring diagram

The Energy Meter has OVERVOLTAGE CATEGORY III (according to IEC 62052-31 that refers to IEC 60664-1 Ed. 2.0:2007), hence its direct connection to the Public Electricity Grid is not allowed.



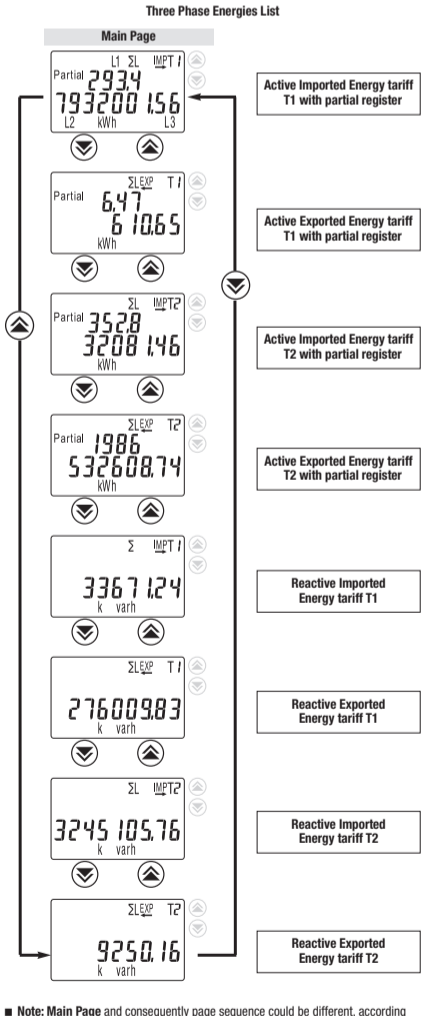
Note
50 outputs options
50 outputs, by default, are proportional to Imported (pin 6-7) and Exported (pin 4-5) Active Energy.



Terminal Description

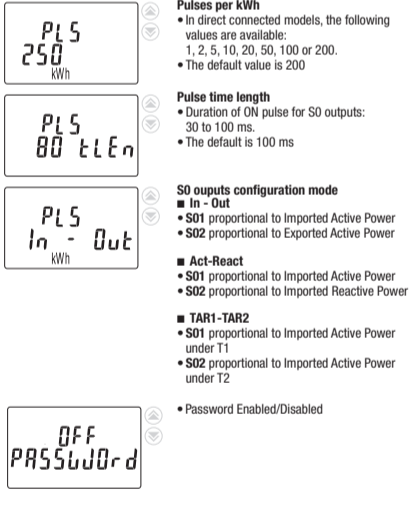
1-2: Tariff input, internally opto-isolated (4kV).
6-7: Opto-isolated SO1 pulses output
4-5: Opto-isolated SO2 pulses output
Modbus
M-Bus

Main Menu

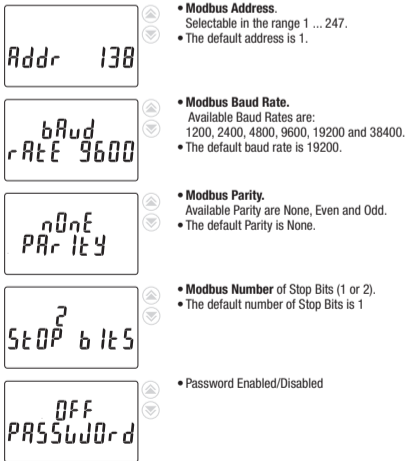


Note: Main Page and consequently page sequence could be different, according to the flowing power and working tariff

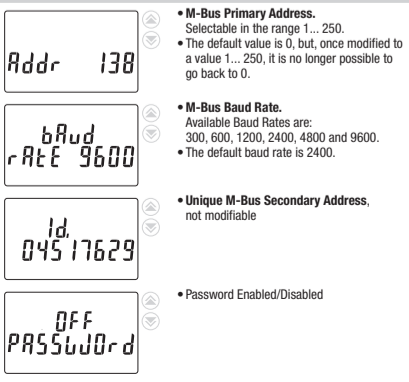
Parameters in S0 model



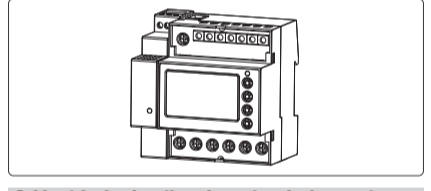
Parameters in models with Modbus on-board



Parameters in models with M-Bus on-board



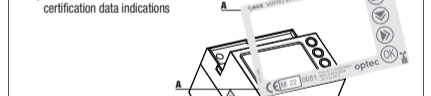
Connectable IR Communication Modules



Cable stripping length and max terminal screw torque



Tariff and communication terminals



MID certified



Note

Table with columns: Property, Value. Lists various technical specifications and safety notes.

Technical Data

Large technical data table with columns: Property, Value. Includes housing characteristics, operating features, approval, supply voltage, overload capability, measuring features, display features, safety, embedded communication, and environmental conditions.

