

## ISOMETER® isoPV with coupling device AGH-PV

Insulation monitoring device for unearthed  
AC, AC/DC and DC systems (IT systems)  
for photovoltaic plants up to AC 793 V/DC 1100 V



# ISOMETER® isoPV

## with coupling device AGH-PV

Insulation monitoring device for unearthed AC, AC/DC and DC systems (IT systems) for photovoltaic plants up to AC 793 V/DC 1100 V



ISOMETER® isoPV



Coupling device AGH-PV

### Device features

#### isoPV

- ISOMETER® for IT AC systems with galvanically connected rectifiers or converters and for IT DC systems (IT = unearthed systems)
- Particularly suitable for monitoring photovoltaic systems
- isoPV is always operated in combination with the coupling device AGH-PV
- Automatic adaptation to the existing system leakage capacitance
- **AMP<sup>plus</sup>**-Measurement method (European Patent: EP 0 654 673 B1)
- Choice of measurement methods to meet different requirements
- Two separately adjustable response ranges of 0.2...100 kΩ each (Alarm 1, Alarm 2)
- Two-line LC display
- Automatic device self test
- Memory with real-time clock to store alarm messages with date and time stamp
- BMS interface (Bender Measuring Device Interface) for communication with other Bender devices (RS-485 galvanically isolated)
- Internal disconnection of the ISOMETER® (via control signal; terminals F1/F2) from the IT system to be monitored (e.g. if several ISOMETER®s are interconnected)
- Current output 0(4)...20mA (electrically isolated) in relation to the measured insulation value

#### AGH-PV

- Coupling device required for ISOMETER® isoPV, each AGH-PV is specially designed for the corresponding isoPV
- Nominal voltage range AC 0...793 V and DC 0...1100 V
- DIN rail mounting

### Application

- AC, DC or AC/DC main circuits
- Solar systems with directly connected inverters
- Solar systems with large system capacitances of up to 2000 µF
- Solar systems with high but slow voltage fluctuations
- Installations including switch-mode power supplies
- Coupled IT systems

### Certifications



### Product description

The ISOMETER® of the isoPV series is designed to monitor the insulation resistance of unearthed main circuits (IT systems) AC, AC/DC 0...793 V resp. DC 0...1100 V. Solar systems containing inverters and isolating transformers are often designed as IT systems. isoPV variants using the **AMP<sup>plus</sup>** measurement method capable of adapting to slow voltage fluctuations meet the particular requirements of modern solar systems. Due to wide spatial distribution or EMC interference suppression methods often high leakage capacitances against earth occur in these systems. Considering this, the isoPV automatically adapts to the system conditions in order to optimise the measuring time. In particular, the requirements for permissible voltage ranges along with a low level of insulation can be met here.

Use the ISOMETER® isoPV in combination with the AGH-PV only. An external supply voltage allows deenergised systems to be monitored too.

### Function

When the insulation resistance between the system conductors and earth falls below the set response value, the alarm relays switch and the alarm LEDs light up. Two separately adjustable alarm relays allow to distinguish between prewarning and alarm. The measured value is indicated on the LC display or an externally connectable measuring instrument. In this way any changes, for example when circuits are connected to the system, can be recognised easily. The fault message can be stored. The fault memory can be reset by pressing the reset button. By pressing the test button, the function of the device as well as the connections to system and earth can be tested. Pressing the Info button provides additional information, such as the existing system leakage capacitance or device settings. The function of the device and the system and earth connections are continuously monitored. When a fault occurs, the system fault relay switches and the alarm LED "system fault" lights up. The parameterisation of the device can be carried out via the LC display or the function buttons integrated in the front plate.

**Additional functions**

- History memory with real-time clock to store all alarm messages with date and time stamp
- Electrically isolated RS-485 interface (BMS protocol) for data exchange with other Bender devices
- Isometer disconnecting relays for the operation of several ISOMETER®s in coupled IT systems
- Current output 0(4) ... 20 mA (electrically isolated)

**Use in coupled IT systems**

Isometer disconnecting relays and the control inputs F1/F2 integrated in the insulation monitoring device make them suitable for coupled IT systems too, and guarantees that only one ISOMETER® is active at any one time.

**Measurement method**

**AMPPlus** The isoPV uses the patented **AMPPlus** measurement method. This measuring method allows concise monitoring of modern power supply systems, also in case of extensive, directly connected DC components and high system leakage capacitances.

**Standards**

The ISOMETER® was designed in accordance with the following standards:

- DIN EN 61557-8 (VDE 0413-8)
- IEC 61557-8
- IEC 61326-2-4
- DIN EN 60664-1 (VDE 0110-1)
- DIN EN 60664-3 (VDE 0110-3)
- UL 508
- UL 1998 (Software)

**Ordering information**

Nominal voltage $U_n$		Supply voltage $U_s$		Set comprising		Art. No.	
3(N)AC	DC	AC	DC	Type	Art. No.		
0 ... 793 V	0 ... 1100 V	19.2 ... 55 V	19.2 ... 72 V	isoPV-327	B91065130W	B91065132W	
				AGH-PV	B98039020W		
		88 ... 264 V	77 ... 286 V	isoPV-335	B91065131W		B91065133W
				AGH-PV	B98039020W		

Devices are available as a set.

**Accessories**

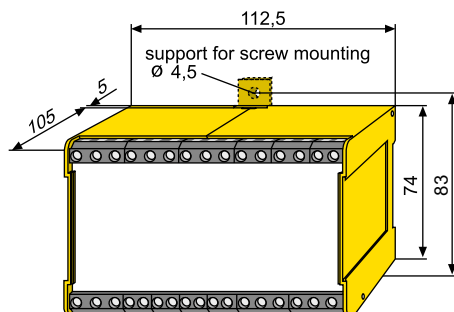
Description	Art. No.
Screw mounting	B990056

**Suitable system components**

Description	Type	Art. No.
External kΩ measuring instruments	9620-1421	B986841

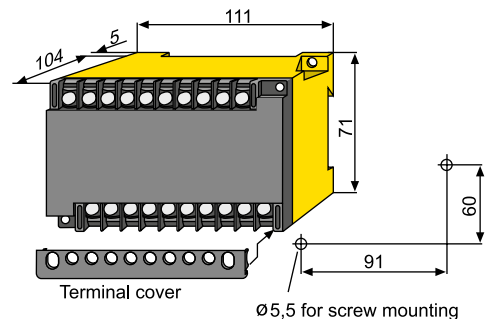
**Dimension diagram XM112 – ISOMETER® isoPV**

Dimensions in mm

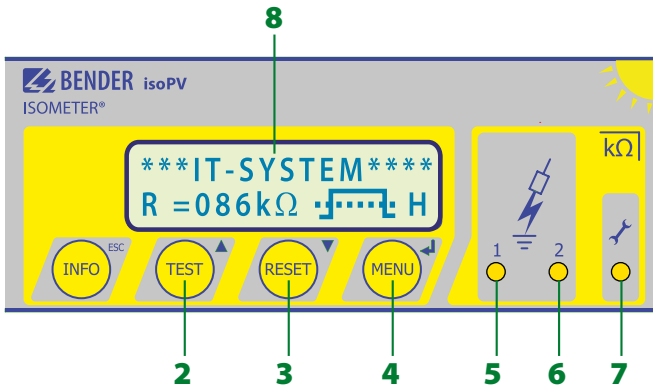


**Dimension diagram X200 – coupling device AGH-PV**

Dimensions in mm

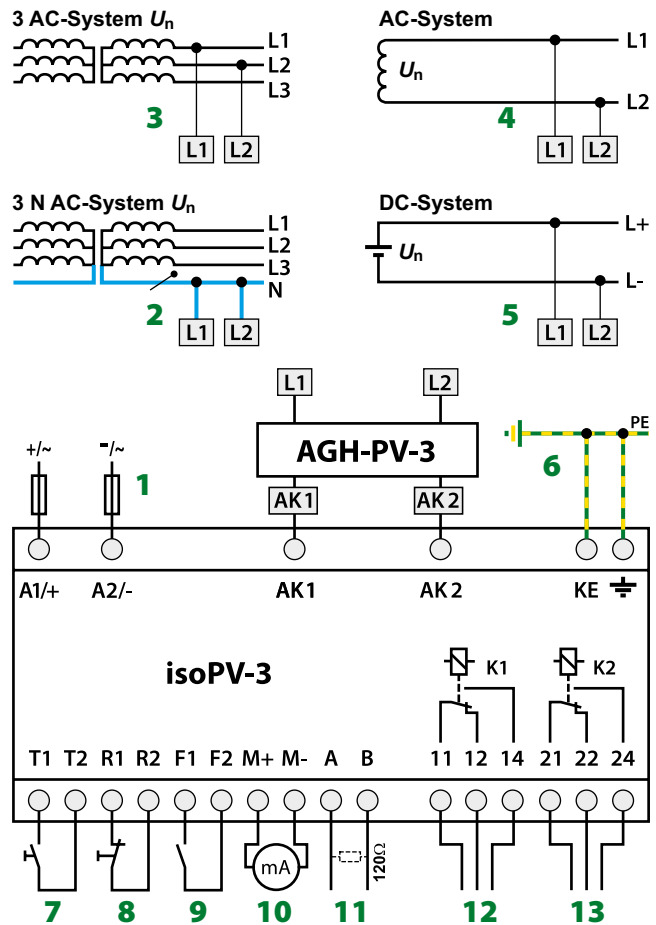


**Control elements isoPV**



- 1 - "INFO" button: to query standard information  
"ESC" button: back (menu function), to confirm parameter change
- 2 - "TEST" button: to call up the self test.  
Arrow up button: parameter change, to move up in the menu
- 3 - "RESET" button: to delete stored insulation fault alarms  
Arrow down button: parameter change, to move down in the menu
- 4 - "MENU" button: to call up the menu system.  
Enter button: to confirm parameter changes
- 5 - Alarm LED "1" lights: insulation fault, first warning level reached
- 6 - Alarm LED "2" lights: insulation fault, second warning level reached
- 7 - Device error LED lights: isoPV faulty
- 8 - Two-line display for standard and menu mode

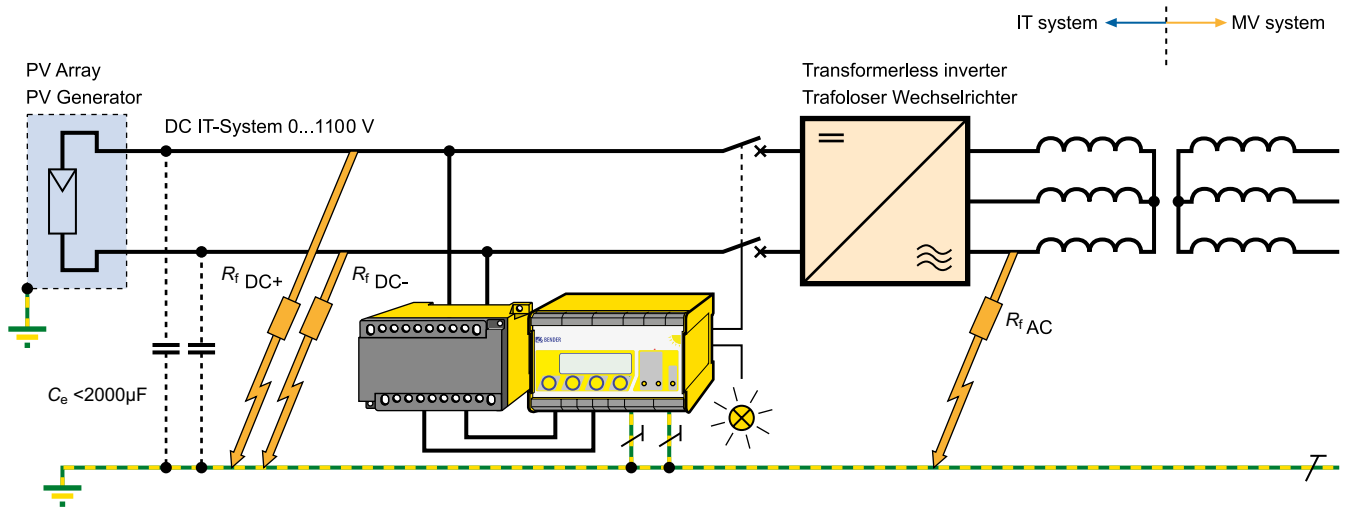
**Wiring diagram**



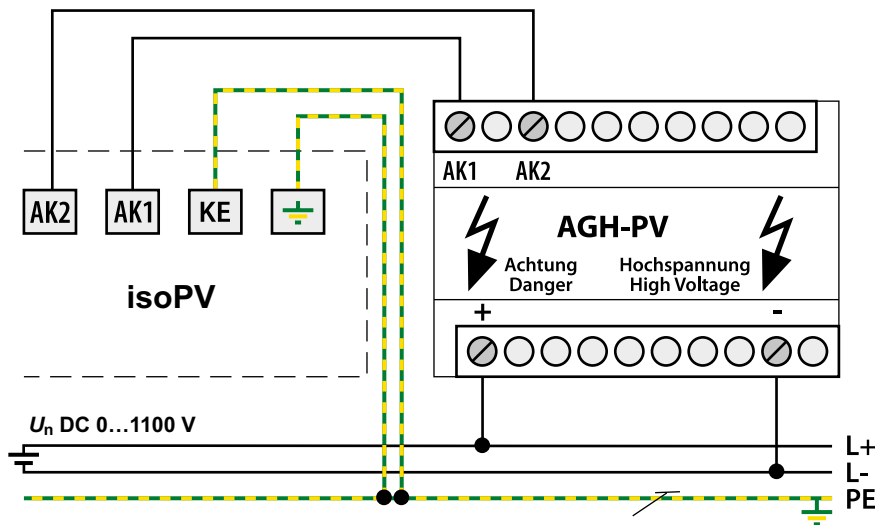
- 1 - Supply voltage  $U_S$  (see nameplate) via 6 A fuse;  
For UL and CSA applications, the use of 5 A fuses is mandatory.
- 2, 3 - Connection to the 3 AC system to be monitored:  
Connect the terminals L1, L2 to neutral conductor N or terminals L1, L2 to conductor L1, L2.
- 4 - Connection to the AC system to be monitored:  
connect terminals L1, L2 to conductor L1, L2.
- 5 - Connection to the DC system to be monitored:  
Connect terminal L1 to conductor L+, terminal L2 to conductor L-
- 6 - Separate connection of E and KE to PE
- 7 - External test button (N/O contact)
- 8 - External reset button (N/C contact or wire jumper), when the terminals are open, the fault message will not be stored.
- 9 - STANDBY by means of the function input F1, F2:  
when the contact is closed, the insulation resistance is not measured.  
Disconnection from the IT system
- 10 - Current output, electrically isolated: 0...20 mA or 4...20 mA
- 11 - Serial interface RS-485 (termination with a 120 Ω resistor)
- 12 - Alarm relay 1; available changeover contacts.
- 13 - Alarm relay 2 (device error relay); available changeover contacts.

**Wiring diagram**

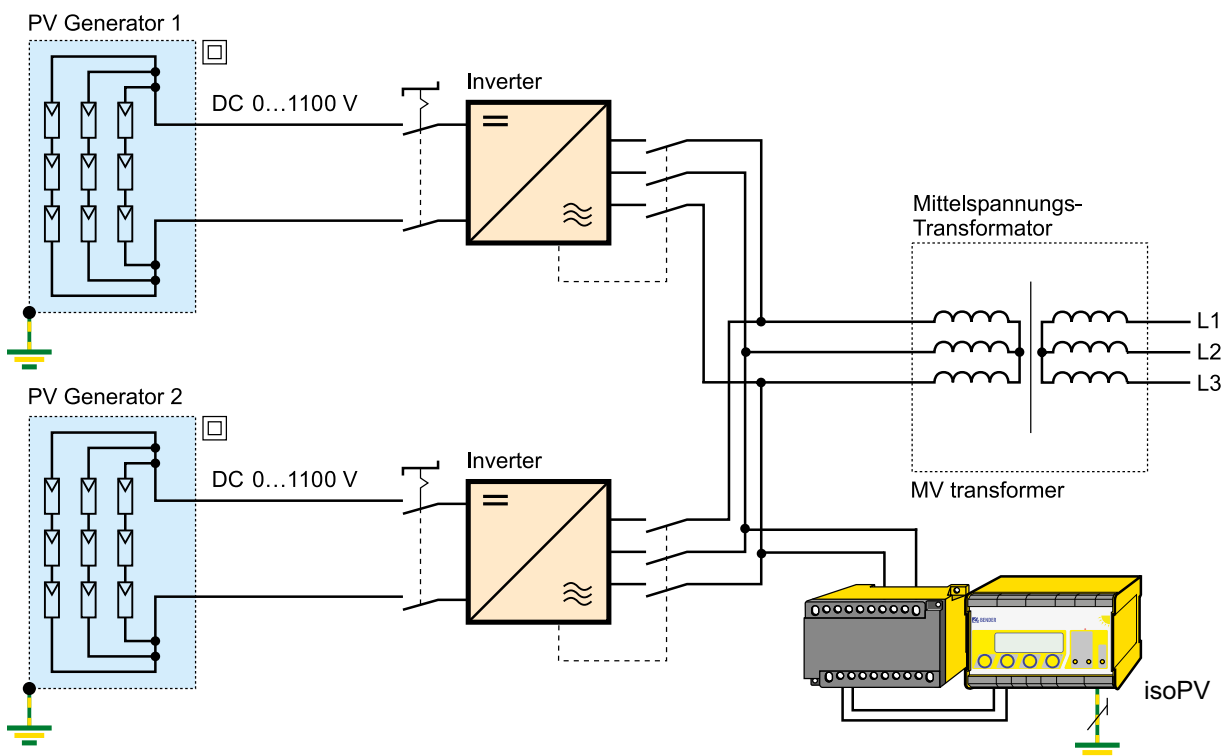
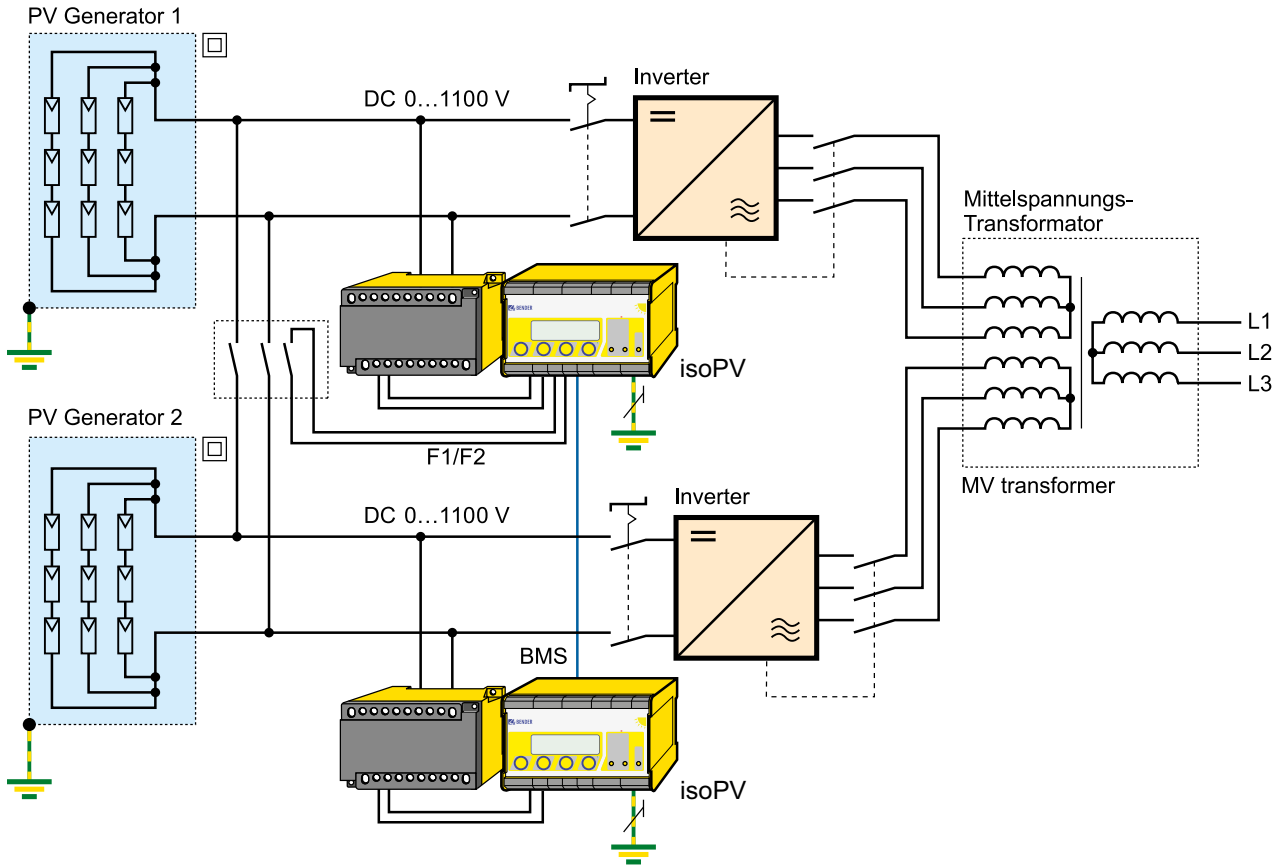
PV generator unearthed (IT system) with nominal voltage  $\leq$  DC 1100 V and ISOMETER® isoPV with coupling device AGH-PV



**Wiring diagram – isoPV with coupling device AGH-PV**



Several PV generators unearthed (IT system) with nominal voltage  $\leq$  DC 1100 V as a coupled system and ISOMETER® isoPV with coupling device AGH-PV



**Technical data ISOMETER® isoPV**
**Insulation coordination acc. to IEC 60664-1**

Definitions:	
Supply circuit (IC2)	A1, A2
Output circuit (IC3)	11, 14, 24
Control circuit (IC4)	Up, KE, T/R, A, B, AK1, GND, AK2
Rated voltage	240 V
Overvoltage category	III
Rated impulse voltage:	
IC2/(IC3-4)	4 kV
IC 3/(IC4)	4 kV
Rated insulated voltage:	
IC2/(IC3-4)	250 V
IC 3/(IC4)	250 V
Polution degree	3
Protective separation (reinforced insulation) between:	
IC2/(IC3-4)	Overvoltage category III, 300 V
IC 3/(IC4)	Overvoltage category III, 300 V
Voltage test (routine test) according to IEC 61010-1:	
IC2/(IC3-4)	AC 2.2 kV
IC 3/(IC4)	AC 2.2 kV

**Voltage ranges**

 Nominal system voltage  $U_n$  via AGH-PV

**isoPV-335:**

Supply voltage $U_s$ (also see nameplate)	AC 88...264 V**
Frequency range $U_s$	42...460 Hz
Power consumption	≤ 21,5 VA
Supply voltage $U_s$ (also see nameplate)	DC 77...286 V**
Power consumption	≤ 5,5 VA

**isoPV-327:**

Supply voltage $U_s$ (also see nameplate)	AC 19,2...55 V**
Frequency range $U_s$	42...460 Hz
Supply voltage $U_s$ (also see nameplate)	DC 19,2...72 V**
Power consumption	≤ 6 VA

**For UL-application**

 Nominal system voltage  $U_n$  via AGH-PV

**isoPV-335:**

Supply voltage $U_s$ (also see nameplate)	AC 88...250 V
Frequency range $U_s$	42...460 Hz
Power consumption AC	≤ 21,5 VA
Supply voltage $U_s$ (also see nameplate)	DC 80...250 V
Power consumption DC	≤ 5,5 VA

**isoPV-327:**

Supply voltage $U_s$ (also see nameplate)	DC 24...65 V
Power consumption	≤ 6 VA

**Response values**

Response value $R_{an1}$	0.2...100 k $\Omega$
Factory setting $R_{an1}$ (Alarm1)	4 k $\Omega$
Response value $R_{an2}$	0.2...100 k $\Omega$
Factory setting $R_{an2}$ (Alarm2)	1 k $\Omega$
Relative uncertainty (7...100 k $\Omega$ ) (in accordance with IEC 61557-8:2007-01)	±15 %
Relative uncertainty (0.2...7 k $\Omega$ )	±1 k $\Omega$
Response time $t_{an}$	see table in manual
Hysteresis	25 %, +1 k $\Omega$

**Measuring circuit**

Measuring voltage $U_m$ (peak value)	± 50 V
Measuring current $I_m$ (at $R_f = 0 \Omega$ )	≤ 1.5 mA
Internal DC resistance DC $R_i$	≥ 35 k $\Omega$
Impedance $Z_i$ at 50 Hz	≥ 35 k $\Omega$
Permissible extraneous DC voltage $U_{fg}$	≤ DC 1100 V
Max. system leakage capacitance $C_e$	≤ 2000 $\mu$ F (2000 $\mu$ F)*

**Displays**

Display, illuminated	two-line display
Characters (number/height)	2 x 16/4 mm
Display range measured value	0.2 k $\Omega$ ...1 M $\Omega$
Operating uncertainty	±15%, ±1 k $\Omega$

**Outputs/Inputs**

Test/reset button	internal/external
Cable length test/reset button, external	≤ 10 m
Current output (load)	0/4...20 mA (≤ 500 $\Omega$ )
Accuracy current output, related to the value indicated (1...100 k $\Omega$ )	±15 %, ±1 k $\Omega$

**Serial interface**

Interface/protocol	RS-485/BMS
Connection	terminals A/B
Cable length	≤ 1200 m
Shielded cable (shield to PE on one end)	2-core, ≥ 0.6 mm <sup>2</sup> , z. B. J-Y(St)Y 2 x 0.6
Terminating resistor	120 $\Omega$ (0.5 $\Omega$ )
Device address, BMS bus	1...30 (3)*

**Switching elements**

Switching elements	2 changeover contacts: K1 (Alarm 1), K2 (Alarm 2, device error)
Operating mode K1, K2	N/C operation n.c./N/O operation n.o. (N/O operation n.o.)*

**Contact data acc. to IEC 60947-5-1:**

Utilisation category	AC 13	AC 14	DC-12	DC-12	DC-12
Rated operational voltage	230 V	230 V	24 V	110 V	220 V
Rated operational current	5 A	3 A	1 A	0.2 A	0.1 A
Minimum contact rating	1 mA at AC/DC ≥ 10 V				

**Environment/EMC**

EMC- not suitable for household and small companies	IEC 61326-2-4
Operating temperature	-25...+65 °C

**Classification of climatic conditions acc. to IEC 60721:**

Stationary use (IEC 60721-3-3)	3K5 (with condensation and formation of ice)
Transport (IEC 60721-3-2)	2K3 (with condensation and formation of ice)
Long-term storage (IEC 60721-3-1)	1K4 (with condensation and formation of ice)

**Classification of mechanical conditions acc. to IEC 60721:**

Stationary use (IEC 60721-3-3)	
for screw fixing with accessories B990056	3M7
for DIN rail mounting	3M4
Transport (IEC 60721-3-2)	2M2
Long-time storage (IEC 60721-3-1)	1M3

**Connection**

Connection	screw-type terminals
Connection, rigid/flexible	0.2...4 mm <sup>2</sup> /0.2...2.5 mm <sup>2</sup>
Connection flexible with connector sleeve, without/with plastic sleeve	0.25...2.5 mm <sup>2</sup>
Tightening torque	0.6...0.8 Nm
Conductor sizes (AWG)	24...12
Cable length between isoPV and AGH-PV	≤ 0.5 m

**Other**

Operating mode	continuous operation
Mounting	display oriented
Distance to adjacent devices	≥ 30 mm
Degree of protection, internal components (DIN EN 60529)	IP30
Degree of protection, terminals (DIN EN 60529)	IP20
Type of enclosure	X112, free from halogen
DIN rail mounting	DIN EN 60715/IEC 60715
Screw mounting by means of support (see Seite 67 in manual)	2 x M4
Flammability class	UL94 V-0
Software version	D351 V2.0
Weight	< 510 g

( )\* = factory setting

The values marked with\*\* are absolute values

## Technical data coupling device AGH-PV

### Insulation coordination acc. to IEC 60664-1

Rated insulation voltage	AC 800 V
Rated impulse voltage/pollution degree	8 kV/3

### Voltage ranges

Nominal system voltage $U_n$	AC, 3(N)AC 0...793 V, DC 0...1100 V
Nominal frequency $f_n$	DC, 10...460 Hz
Max. AC voltage $U_{\sim}$ in the frequency range $f_n = 0.1...10$ Hz:	$U_{\sim} \text{ max} = 110 \text{ V/Hz} * f_n$

### Environment/EMC

EMC	IEC61326-2-4
Operating temperature	-25...+65 °C

### Classification of climatic conditions acc. to IEC 60721:

Stationary use (IEC 60721-3-3)	3K5 (with condensation and formation of ice)
Transport (IEC 60721-3-2)	2K3 (with condensation and formation of ice)
Long-term storage (IEC 60721-3-1)	1K4 (with condensation and formation of ice)

### Classification of mechanical conditions acc. to IEC 60721:

Stationary use (IEC 60721-3-3)	3M7
Transport (IEC 60721-3-2)	2M2
Long-time storage (IEC 60721-3-1)	1M3

### Connection

Connection	screw-type terminals
Connection, rigid/flexible	0.2...4 mm <sup>2</sup> /0.2...2.5 mm <sup>2</sup>
Connection flexible with connector sleeve, without/with plastic sleeve	0.25...2.5 mm <sup>2</sup>
Tightening torque	0.5 Nm
Conductor sizes (AWG)	24...12
Cable length between isoPV and AGH-PV	≤ 0.5 m

### Other

Operating mode	continuous operation
Mounting	cooling slots must be ventilated vertically!
Distance to adjacent devices	≥ 30 mm
Degree of protection, internal components (DIN EN 60529)	IP30
Degree of protection, terminals (DIN EN 60529)	IP20
Type of enclosure	X200, free from halogen
DIN rail mounting	DIN EN 60715/IEC 60715
Screw fixing	2 x M4
Flammability class	UL94 V-0
Weight	< 230 g

( ) \* = factory setting

The values marked with\*\* are absolute values

# optec

energie ist messbar

Optec AG | Guyer-Zeller-Strasse 14 | CH-8620 Wetzikon ZH

Telefon: +41 44 933 07 70 | Telefax: +41 44 933 07 77  
E-Mail: info@optec.ch | Internet: www.optec.ch



### Bender GmbH & Co. KG

P.O. Box 1161 • 35301 Gruenberg • Germany  
Londorfer Strasse 65 • 35305 Gruenberg • Germany  
Tel.: +49 6401 807-0 • Fax: +49 6401 807-259  
E-Mail: info@bender.de • www.bender.de



**BENDER Group**